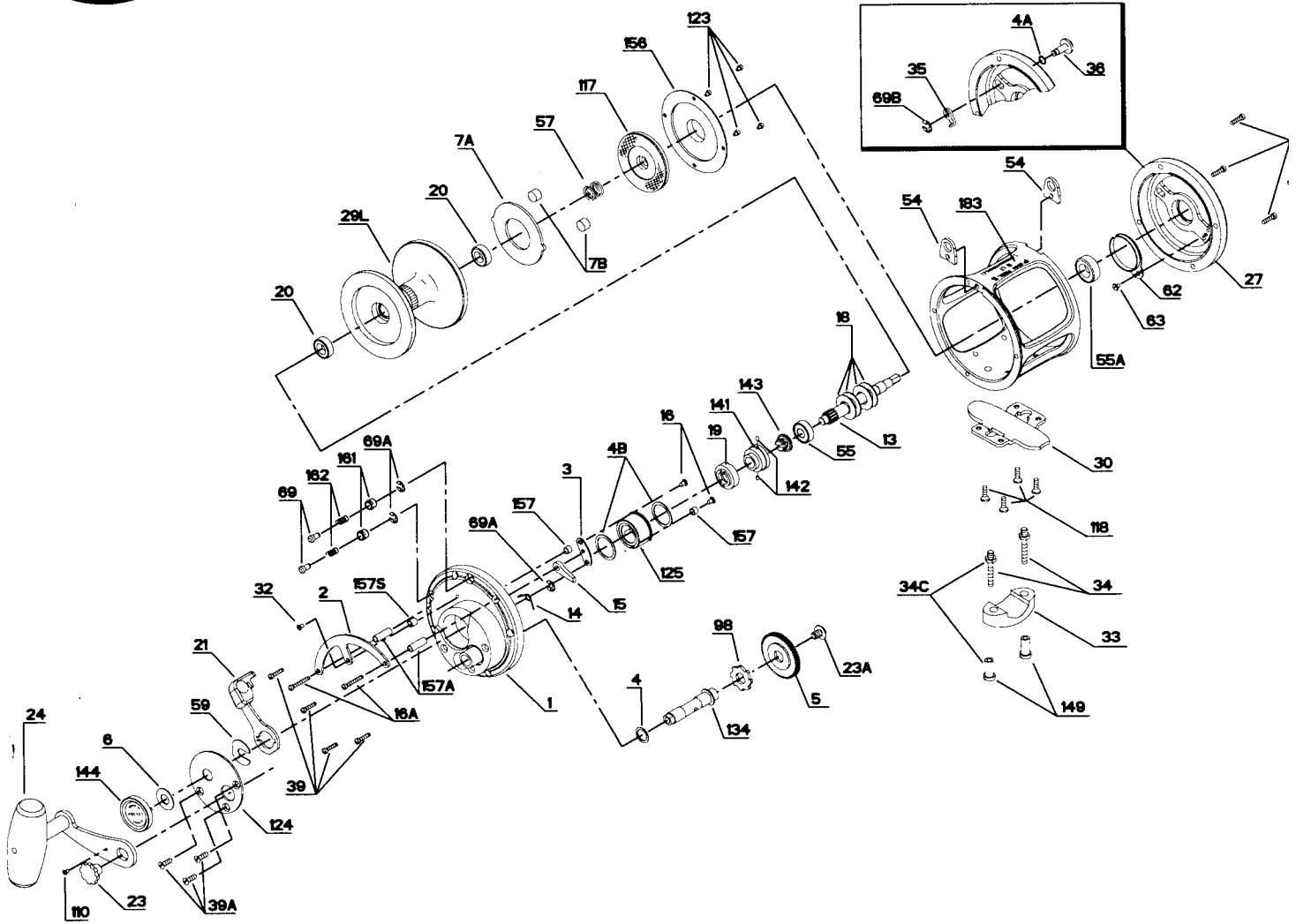




PARTS AND PRICE LIST FOR MODEL 12LT



Key No.	Part No.	Description	Price	Key No.	Part No.	Description	Price
1	1-12LT	Right Side Plate Assembly	\$70.00	39A	39A-80S	Bridge Cover Screws (3 req.)	\$.45
2	2-6	Quadrant Ring	6.35	54	54-113	Harness Lugs (2 req.)	1.70
3	3-12LT	Ratchet Dog Bridge	1.50	55	55-6	Ball Bearing	13.25
4	4-12	Gear Stud Washer	.50	55A	55-12H	L.S. Plate Bearing	13.25
4A	4-12H	Click Button Washers	.50	57	57-109	L.S. Bearing Spring	.60
4B	4-12LT	Cam Thrust Washers (2 req.)	.50	59	59-50	Slotted Washer	.80
5	5-12H	Main Gear	8.60	62	62-25	Click Spring	1.75
6	6-155	Spacer Washer	.60	63	63-209	Click Spring Screw	.80
7A	7A-6	Metal Ear Drag Washer	5.00	69	69-12LT	Locating Pin (2 req.)	1.05
7B	7B-12H	Pressure Plugs (2 req.)	.50	69A	69B-50	Retaining Ring (3 req.)	.80
13	13-12H	Pinion Gear	25.30	69B	69B-600	Click Button Retaining Ring	.90
14	14-6	Dog Spring	.45	98	98-6	Gear Ratchet	1.50
15	15-149	Dog	.90	110	110-60	Handle Lock Screw	.40
16	16-6	Bridge Screws (2 req.)	.45	117	117-12T	Drive Plate Assembly	12.90
16A	16-9	Quadrant Long Screws (2 req.)	.40	118	118-80	Stand Screw (4 req.)	.50
18	18-12T	Disc Clutch Springs (4 req.)	.70	123	16-910	Drag Cover Screws (4 req.)	.50
19	19-12LT	Eccentric Cam	7.00	124	124-12LT	Bridge Cover	4.50
20	20-722	Spool Bearings (2 req.)	12.95	125	125-12LT	Cam Housing	7.00
21	21-12LT	Eccentric Lever	10.00	134	134-12H	Gear Stud	5.45
23	23-60	Handle Screw	1.70	141	141-12LT	Cam Follower	4.50
23A	23-6CH	Gear Screw	1.25	142	142-12LT	Cam Follower Pin (2 req.)	.50
24	24-12LT	Handle Complete	13.00	143	143-12LT	Adjusting Screw	2.00
27	27-12LT	Left Side Plate Assembly	45.00	144	144-16S	Preset Knob	4.50
29L	29L-12LT	Spool	58.00	149	149-45	Rod Clamp Nut (2 req.)	.90
30	30-12LT	Stand	7.50	156	156-12LT	Drag Cover	4.50
32	32-310	Quadrant Short Screw	.40	157	157-12	Bridge Spacer Bushings (2 req.)	.60
33	33-113	Rod Clamp	4.00	157A	157-12T	Quadrant Spacer Bushings (2 req.)	.80
34	34-114HLW	Rod Clamp Screws (2 req.)	1.30	157S	157S-12T	Quadrant Spacer Bushings (2 req.)	.50
34C	34C-114HLW	Rod Bolt w/Nuts	2.60	161	161-12LT	Locating Pin Bushing (2 req.)	1.00
35	35-320	Click Tongue	1.10	162	162-12LT	Locating Pin Spring (2 req.)	.45
				183	183-12LT	Tube Frame	75.00